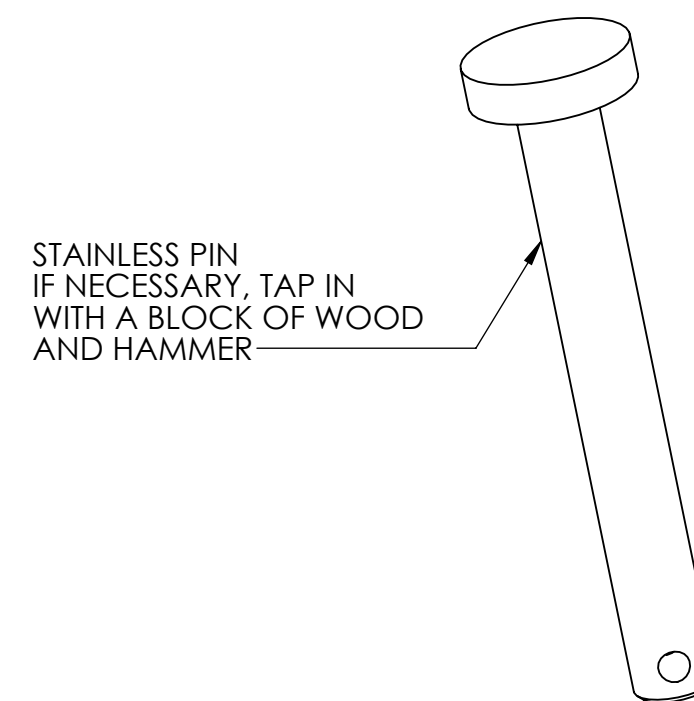
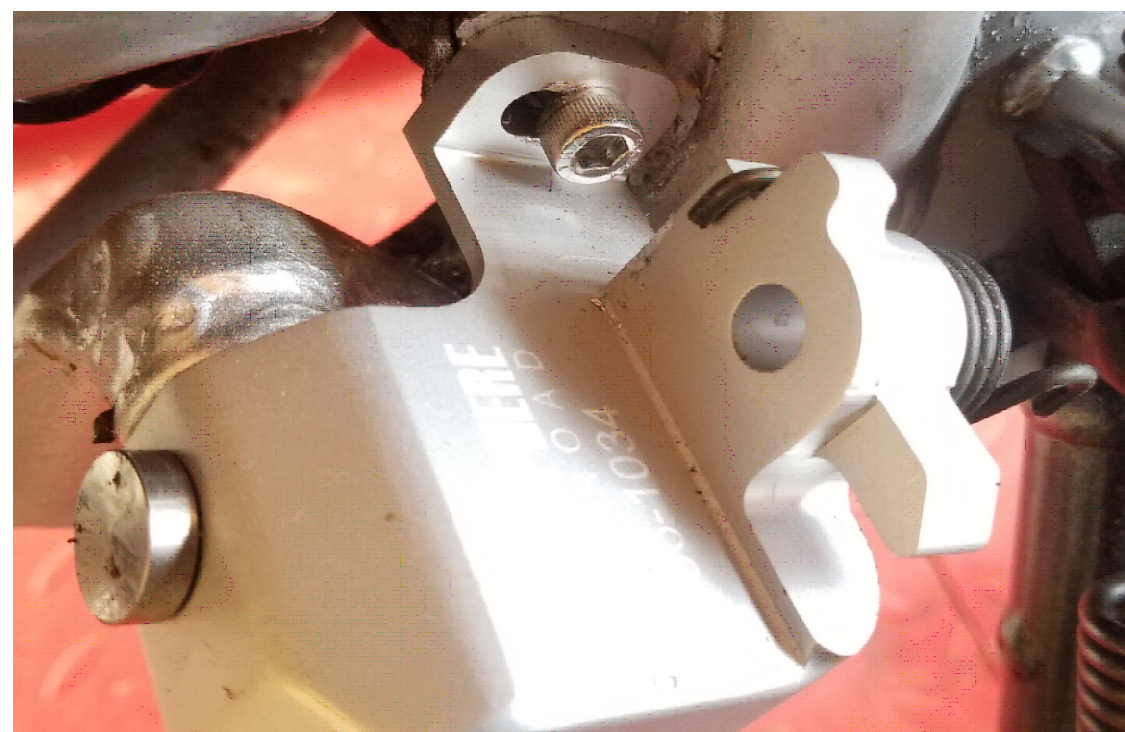


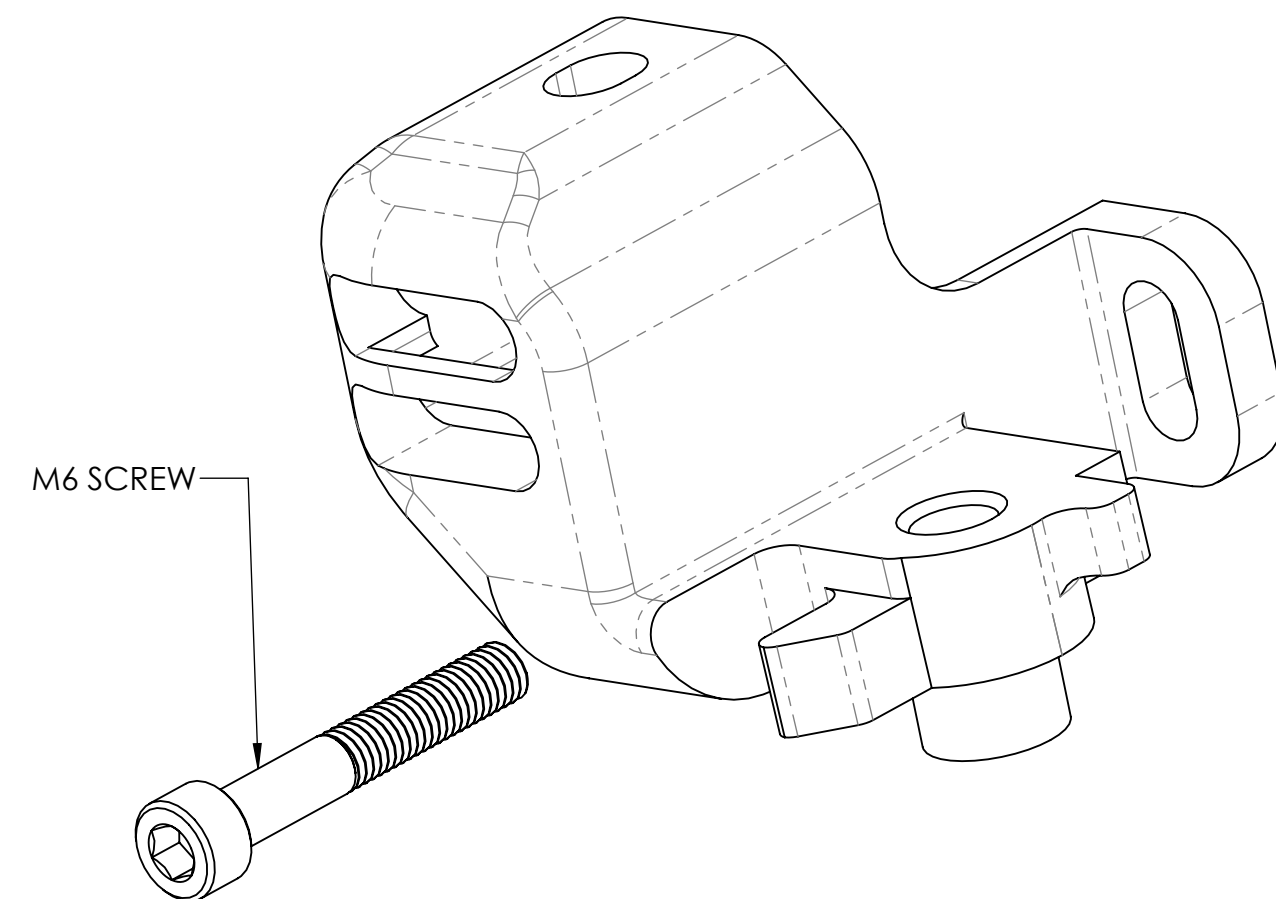
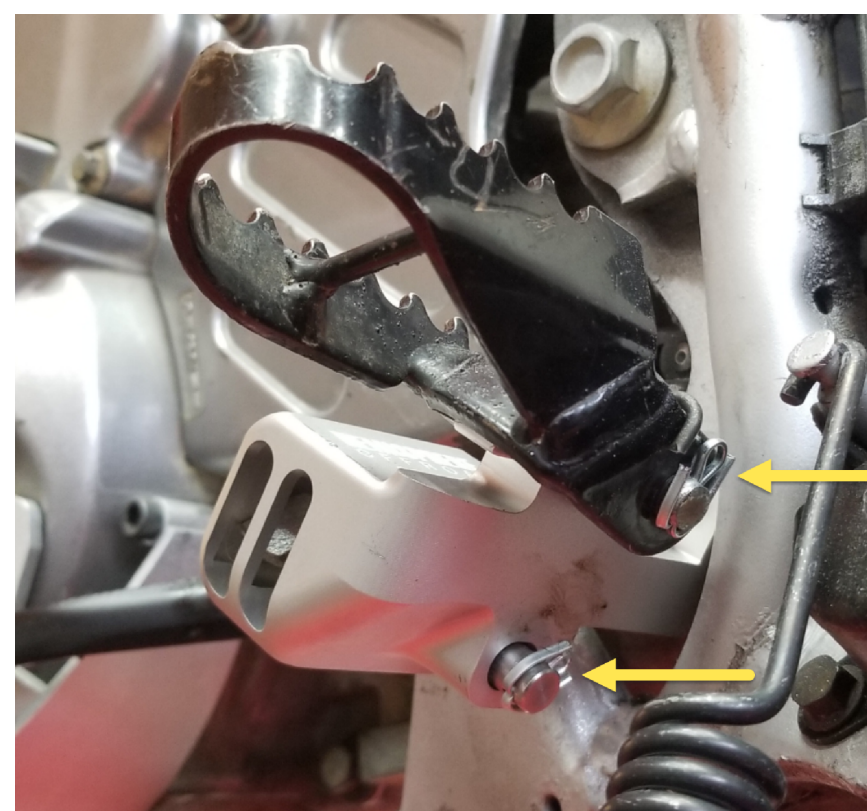
REVISIONS				
ZONE	REV.	DESCRIPTION	DATE	APPROVED
	A	INITIAL RELEASE	1/10/2018	

1. REMOVE PEG AND SPRING. REMOVE THE SCREW HOLDING THE RUBBER CHAIN GUIDE
2. LOOSELY INSTALL M6 SCREW INTO SLOT BEFORE INSTALLING THE MOUNT OVER THE STOCK MOUNT.
3. LOOSELY INSTALL THE MOUNT OVER THE STOCK MOUNT. START SCREWING THE SCREW INTO THE RUBBER ISOLATOR.
4. LINE UP THE STEEL PIN WITH THE STOCK PIN HOLE
5. TAP THE PIN IN UNTIL FULLY SEATED
6. INSTALL SUPPLIED COTTER PIN INTO THE STEEL PIN.
7. TIGHTEN THE SCREW INTO THE RUBBER CHAIN GUIDE.
8. INSTALL YOUR PEG USING THE ORIGINAL SPRING. INSTALL COTTER PIN.



USE A PIECE OF WOOD TO PROTECT THE SURFACE IF YOU NEED TO TAP THE PIN IN WITH A HAMMER.

INSTALL STOCK SPRING AS SHOWN



REMOVE THE STOCK SCREW FROM THIS LOCATION. REPLACE WITH SUPPLIED LONGER SCREW

INSTALL PINS AND COTTER PINS AS SHOWN



06-1034 LEFT PEG MOUNT INSTALLATION INSTRUCTIONS