

RADIATOR AND COOLANT TANK SHROUD (1987-2007) INSTALLATION INSTRUCTIONS

VISUALLY ALIGN THE SHROUD WITH THE TANK. ONCE IN PLACE, TIGHTEN THE SCREWS, STARTING WITH THE UPPER SCREW AND WORKING DOWNWARD. DO NOT FORCE ALIGNMENT.

LOOSELY INSTALL THE FRONT SCREWS. DO NOT TIGHTEN YET.

STEP

5

STEP

4

STEP

2

STEP

3

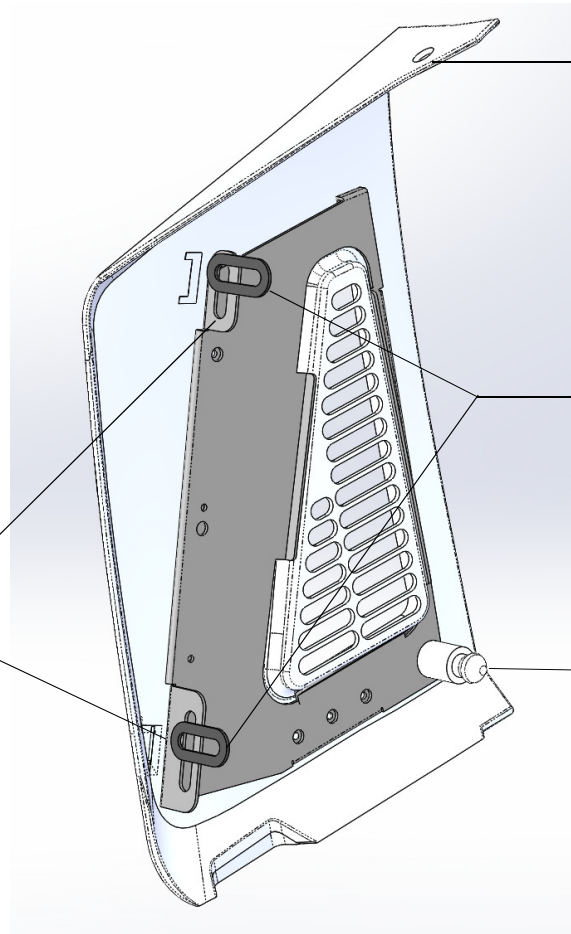
STEP

1

LOOSELY INSTALL THE UPPER STOCK TANK SCREW. DO NOT TIGHTEN YET.

CHECK THE STOCK MOUNT BRACKET ALIGNMENT. IF IT SEEMS TOO TIGHT, REPLACE THEM WITH THE SUPPLIED ADAPTER BRACKETS.

INSTALL THE GROMMET STUD ONTO THE THREADS. USE THREADLOCKER IF POSSIBLE.



QUESTIONS? EMAIL US AT
SALES@HEMISPHEREOFFROAD.COM OR
CALL US AT 888-829-5843