

4

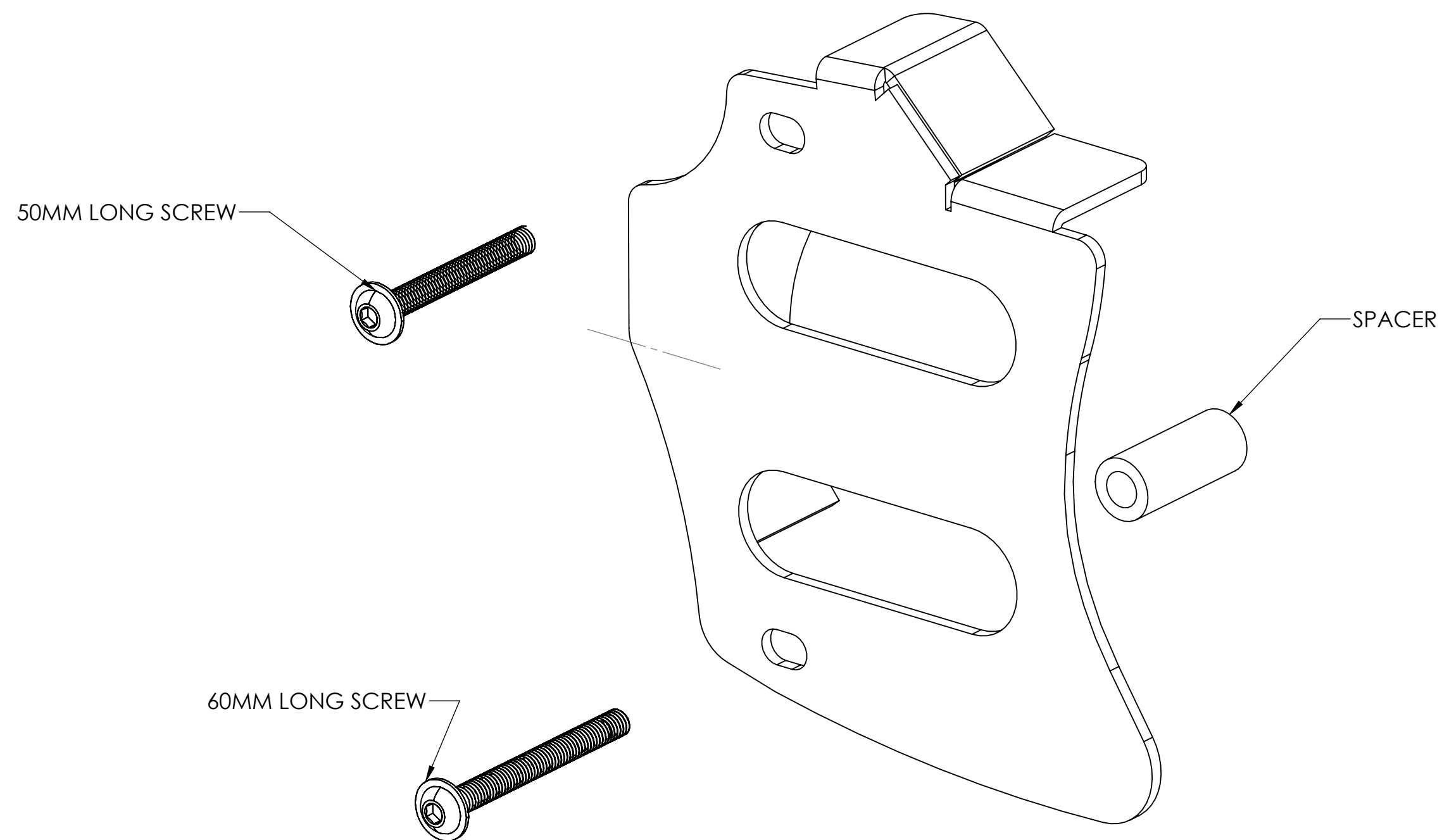
3

2

1

## INSTRUCTIONS

1. WE RECOMMEND USING THREAD LOCKER
2. INSERT 60MM LONG SCREW THROUGH BOTTOM HOLE, PUT SPACER ON BOLT FROM INSIDE
3. INSTALL CASE SAVER LOOSELY USING BOTTOM SCREW ONLY FOR NOW. LEAVE IT LOOSE.
4. INSTALL THE UPPER SCREW. LEAVE IT LOOSE.
5. IMPORTANT! THE HOLES ARE SLOTTED TO ALLOW THE COVER TO SLIDE LEFT AND RIGHT. SLIDE IT AS FAR LEFT AS POSSIBLE. CHECK TO ENSURE THERE IS A GAP BETWEEN THE CASE GUARD AND CHAIN. IT SHOULD BE A VERY SMALL GAP.
6. WHILE HOLDING THE COVER TO THE LEFT, TIGHTEN THE SCREWS.
7. CHECK THE CLEARANCE AGAIN.

**HEMISPHERE**  
OFFROAD**XR650L SPROCKET COVER / CASE GUARD**

4

3

2

1